

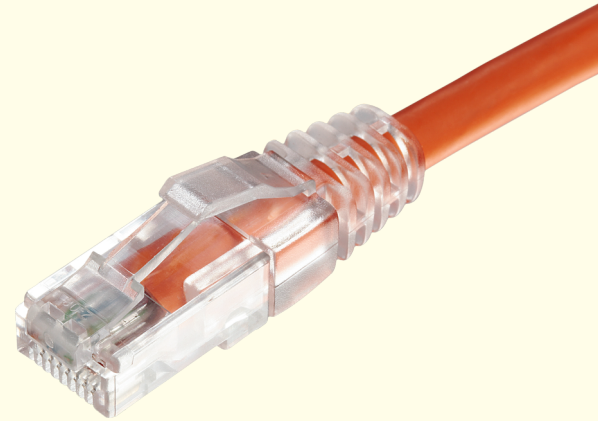


# STRUCTURED CABLING SYSTEMS

## DIGISOL Patch Cord, Cat6, UTP

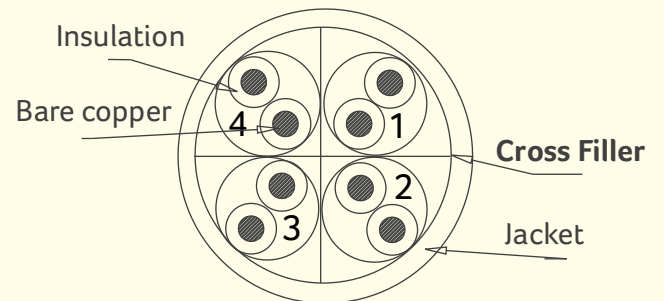
### Introduction:-

DIGISOL Category 6 UTP Patch Cords are Factory Tested for Better Quality and Suitable for the High Speed Data Transmission. Complies to the ANSI/TIA/EIA-568-C.2 Standard. Supports Data Networks Speeds Up to 10/100-Base-T and 1000-Base-T.



### Key Features:-

- Available In LSZH Jacket- Reduced Toxic Gasses Emitted During Combustion
- RJ45, 8P8C, 2 FORK 50μ" Gold Plated Contacts
- 100% Factory Tested
- Transparent Boot Cable Assemblies
- Available in 5 Different Colors



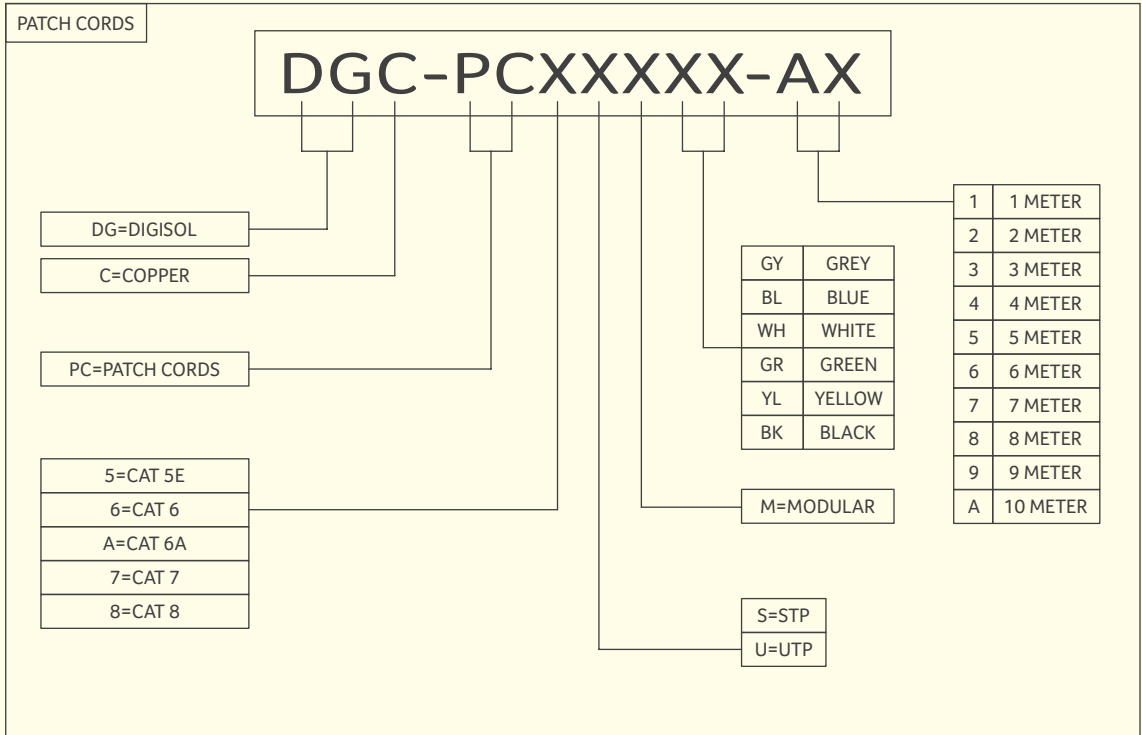
### Technical Specifications:-

Conductor Material	: Stranded Copper
Conductor Diameter	: (24 AWG)
Insulation Material	: HD-PE
Insulation Thickness	: Min at any point: 0.18mm MAX AVG:0.20mm Min at any point: 0.17mm MAX AVG:0.19mm
Insulation Diameter	: 0.94±0.01mm/0.92±0.01mm
Cross Filler	: Transparent 4.2×0.35
Jacket Type	: LSZH (Low Smoke Zero Halogen)
Jacket Thickness	: Min at any point: 0.51mm MAX AVG: 0.55mm
Jacket Width	: Min at any point: 5.2mm MAX AVG:5.8mm
Plug	: 50μ" Gold Plated Contact
Boot	: Transparent
Standard	: ANSI EIA/TIA 568-C.2
Colors	: Light Grey/Blue/Green/Yellow/Orange



# STRUCTURED CABLING SYSTEMS

## DIGISOL Patch Cord, Cat6, UTP



### Ordering Information:-

DGC-PC6UMGY-1L	DIGISOL Patch Cord, Cat6, UTP, 24AWG, Grey, LSZH, 1M
DGC-PC6UMGY-2L	DIGISOL Patch Cord, Cat6, UTP, 24AWG, Grey, LSZH, 2M
DGC-PC6UMGY-3L	DIGISOL Patch Cord, Cat6, UTP, 24AWG, Grey, LSZH, 3M
DGC-PC6UMOR-1L	DIGISOL Patch Cord, Cat6, UTP, 24AWG, Orange, LSZH, 1M
DGC-PC6UMOR-2L	DIGISOL Patch Cord, Cat6, UTP, 24AWG, Orange, LSZH, 2M
DGC-PC6UMBL-1L	DIGISOL Patch Cord, Cat6, UTP, 24AWG, Blue, LSZH, 1M
DGC-PC6UMBL-2L	DIGISOL Patch Cord, Cat6, UTP, 24AWG, Blue, LSZH, 2M
DGC-PC6UMGR-1L	DIGISOL Patch Cord, Cat6, UTP, 24AWG, Green, LSZH, 1M
DGC-PC6UMGR-2L	DIGISOL Patch Cord, Cat6, UTP, 24AWG, Green, LSZH, 2M
DGC-PC6UMYL-1L	DIGISOL Patch Cord, Cat6, UTP, 24AWG, Yellow, LSZH, 1M
DGC-PC6UMYL-2L	DIGISOL Patch Cord, Cat6, UTP, 24AWG, Yellow, LSZH, 2M

\* Can be made available in different lengths.

DIGISOL is a Subsidiary of Smartlink Holdings Limited

DIGISOL SYSTEMS LIMITED  
215 Atrium Bldg., 2nd Floor,  
B-Wing, Opp. Big Cinema,  
Courtyard Marriott Compound,  
Andheri-Kurla Road,  
Andheri (E), Mumbai - 400093.

1800-209-3444  
www.digisol.com  
helpdesk@digisol.com

@DIGISOLINDIA