



DIGISOL®

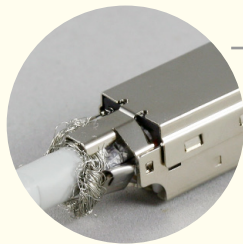
CAT6A

# STRUCTURED CABLING SYSTEMS

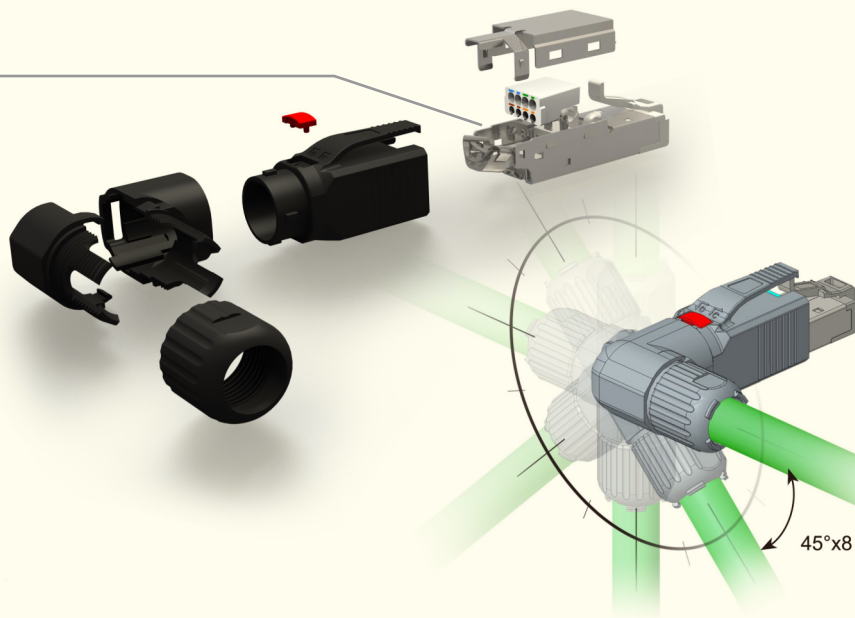
## DIGISOL Industrial Field Plug, Cat 6A STP, 7 Piece, 360°, Toolless, PoE+

PoE Enabled Industrial  
Field Plug with efficient  
strain relief

PoE+  
COMPATIBLE



High Quality  
Shield Material



360°  
movement  
at 8 different  
locking  
positions

45°x8

### Key Features:-

- 360 movement for efficient rack & application area deployment
- **Toolless type** design with contact pins assembled with Solder-less Press-fit process
- Fast and easy **tool free termination** with hands. Optional termination with hand tool
- Gold over nickel plated Contact pins
- **No oxidation** of Contact pins due to absence of soldering flux leading to longer life
- High impact **Polycarbonate Grade plastic**, UL-94V-0 rated
- Plug Insertion Life : 1 000 cycles

### Standard Verification:-

- Qualified screened Cat.6A
- Complies as per ANSI/TIA-568-2.D
- IEC 60603-7-51
- ISO/IEC 11801 2.2 edition
- CENELEC EN 50173-1:2011



### Ordering Information:-

Product Code	Description
DGC-RJPSCA-Z	DIGISOL INDUSTRIAL FIELD RJ45 PLUGS, CAT 6A STP, 360°

DIGISOL is a Subsidiary of Smartlink Holdings Limited

DIGISOL SYSTEMS LIMITED  
CITIPOINT, 7th Floor,  
Unit No. B-701, B-702 & B-703,  
Andheri-Kurla Road, J. B. Nagar,  
Andheri (East),  
Mumbai - 400059, INDIA

- 1800-209-3444
- www.digisol.com
- helpdesk@digisol.com

@DIGISOLINDIA

Datasheet Updated: 31st May 2023