



DIGISOL[™]

STRUCTURED CABLING SYSTEMS

DIGISOL Face Plate, Dual Port, Modular Straight Shuttered

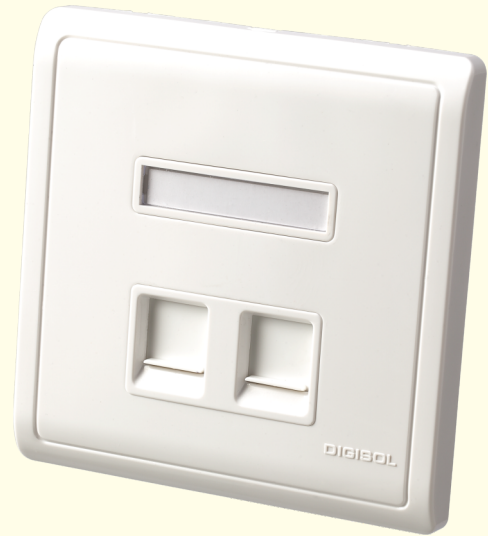
DGC-FPXMSS-A

Introduction:-

DIGISOL Face Plate is a Dual Port , Modular Straight with Shutter and Two Piece Design

Key Features:-

- Two Piece design
- Shutter on Face Plate
- Elegant hidden-screw design



Technical Specifications:-

Port Details:-

Port : Dual

Material Description:-

Cover Material : ABS-UL94-V2

Base Material : ABS-UL94-V2

Dust Cover Material : ABS-UL94-V2

Mechanical Properties:-

Size : 86 X 86 X 12mm (Dual)

Plug Retention Force : 14Kgf (140N)

Plug Reliability : 750 Cycles minimum

Standard Verification:-

- ANSI/TIA-568-C.2
- ISO/IEC 11801:2002 AMMD.2:2010
- YD/T 926.3-2009
- ISO/IEC 60603-7 Compliant
- RoHS Directive 2002/95/EC/Compliant

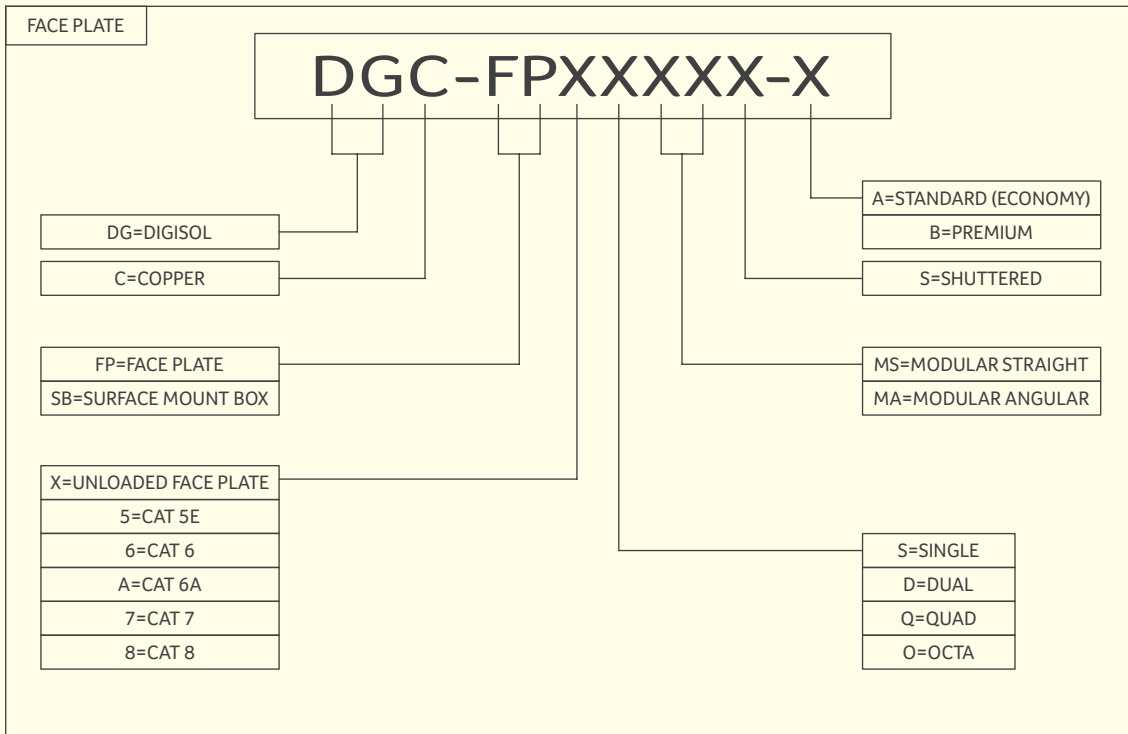


DIGISOLTM

STRUCTURED CABLING SYSTEMS

DIGISOL Face Plate, Dual Port, Modular Straight Shuttered

DGC-FPXMSS-A



Ordering Information:-

DGC-FPXMSS-A

DIGISOL Face Plate, Dual Port, Modular Straight Shuttered

DIGISOL SYSTEMS LIMITED
 Smartlink House,
 Plot No. 5, Bandra-Kurla
 Complex, Santacruz (East),
 Mumbai - 400 098.

1800-209-3444
www.digisol.com
helpdesk@digisol.com

